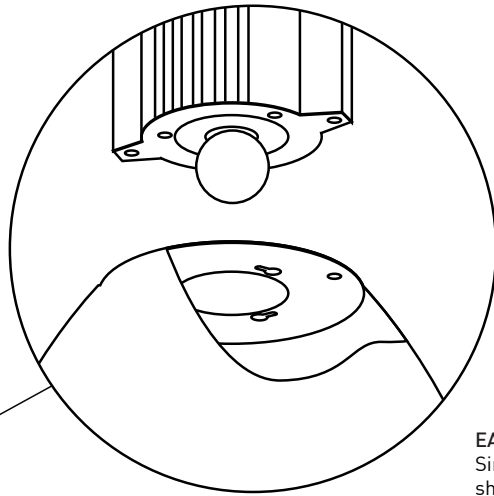


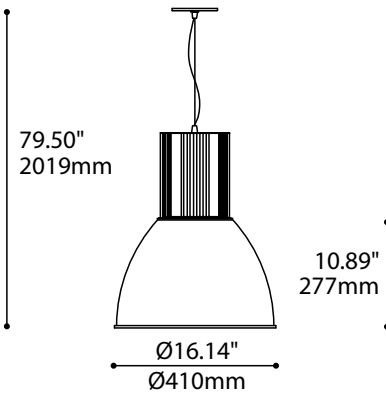
INTEGRATED DRIVER
Driver is integrated in the top aluminum compartment.



COB POWER
Apsis features a powerful 18W LED COB (chip-on-board) with a highly efficient spherical diffuser.

EASY TO INSTALL
Simply twist and lock the acrylic shade in place for easy installation.

INDUSTRIAL LOOK
Architectural industrial look with a parabolic ribbed acrylic diffuser and aluminum driver housing offered in LED



SPECIFICATIONS

4271-LED.18

LIGHT SOURCE	18W Nichia LED COB
DELIVERED LUMENS	1473lm (4000K)
CRI	80 CRI (typical)
LIGHT DISTRIBUTION	Direct
DIFFUSER	Molded acrylic clear diffuser
HOUSING	Black or metallic gray extruded aluminum structure
VOLTAGE	120V (DP) or 120-277V (DV)
DRIVER	CC 500mA, UL Recognized
DIMMING	Standard Phase dimming (DP) or 0-10V dimming (DV)
LM-79	On request
WARRANTY	5 years

AP SIS 4271

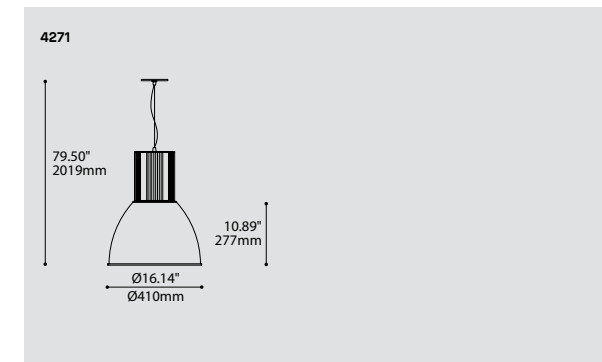
PROJECT	PROJET
SPEC TYPE	
NOTES	



OPTIONS



BLK



ORDERING SPECIFICATION	SPÉCIFICATION DE COMMANDE	CODE
MODEL MODÈLE		4271
4271	AP SIS	
LIGHT SOURCE SOURCE LUMINEUSE		LED.18
<small>(WATTAGE, LAMP TYPE, LAMP FORM, BASE TYPE, OTHER INFO)</small>		
LED.18	18W, LED	
COLOR TEMPERATURE TEMPÉRATURE DE COULEUR		
30	3000K	
35	3500K	
40	4000K	
VOLTAGE VOLTAGE		
120V	120 VOLT	
277V	277 VOLT	
DIMMING OPTION OPTION DE GRADATION		
DV	0-10V DIMMING (120-277V)	
DP	PHASE DIMMING (120V ONLY)	
	LED DIMMING DRIVER IS STANDARD IN THIS PRODUCT, PLEASE SPECIFY YOUR DIMMING TYPE.	
CABLE CABLE		AC
AC	AIRCRAFT MOUNTING & CLEAR CABLE, FIELD ADJUSTABLE	
CABLE LENGTH LONGUEUR DE CABLE		
60	60" AIRCRAFT CABLE (STD LENGTH)	
**	CUSTOM AIRCRAFT CABLE LENGTH (PLEASE SPECIFY) FOR OVERALL LENGTH PLEASE CONTACT YOUR EUREKA REPRESENTATIVE.	
HOUSING FINISH FINI BOITIER		
BLK	BLACK	
M G	METALLIC GRAY	
DIFFUSER FINISH FINI DIFFUSEUR		CLR
CLR	CLEAR	

PRODUCT CHARACTERISTICS CARACTÉRISTIQUES DU PRODUIT

BIM DIM IES LED

DESIGN:	Architectural industrial look with a parabolic ribbed acrylic diffuser and aluminum driver housing.
INSTALLATION:	Field adjustable cable mounting system that allows for sloped ceiling installation.
LIGHT SOURCE:	LED light source.
HOUSING:	Powder coated extruded aluminum housing with steel mounting hardware.
DIFFUSER:	Parabolic, clear ribbed diffuser in injection molded optical acrylic.
CERTIFIED:	c-CSA-us
CONCEPTION:	Allure industrielle avec diffuseur parabolique en acrylique nervuré jumelé à un boîtier en aluminium.
INSTALLATION:	Système d'installation sur câble ajustable, permettant une installation sur un plafond en pente.
SOURCE LUMINEUSE:	DEL à intensité variable.
BOITIER:	Boîtier fait d'aluminium extrudé peint avec peinture en poudre résistante, avec quincaillerie de montage en acier.
DIFFUSEUR:	Diffuseur optique parabolique nervuré en acrylique injecté.
CERTIFIÉ:	c-CSA-us

Photometric Report

4271-XX-CLR-LED18 Apsis 18W LED

CCT (K): 4000
 Delivered Lumens (lm): 1473
 System wattage (W)*: 18
 Distribution: Direct
 Delivered Efficacy (lm/W): 81.8
 Photometric type: C

Luminous dimensions

Luminous shape: Rectangle
 Units: in (mm)
 0-180 Axis: 15.6 (397)
 90-270 Axis: 15.6 (397)
 Height: 19.2 (488)

Luminaire spacing criteria

2 luminaires, plane 0: 0.90
 2 luminaires, plane 90: 0.90
 4 luminaires: 1.01

*System wattage include driver and LED module consumption

